

# YCWS9 Series

## Wall Switch & Socket

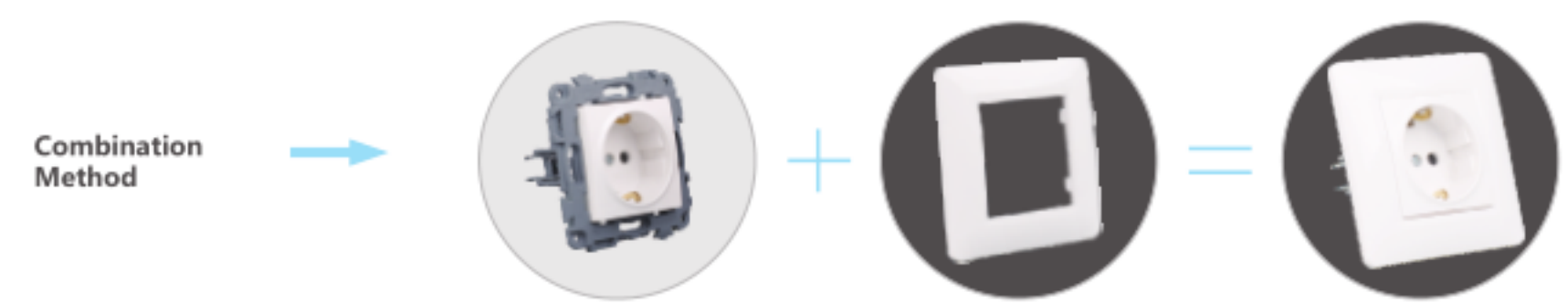
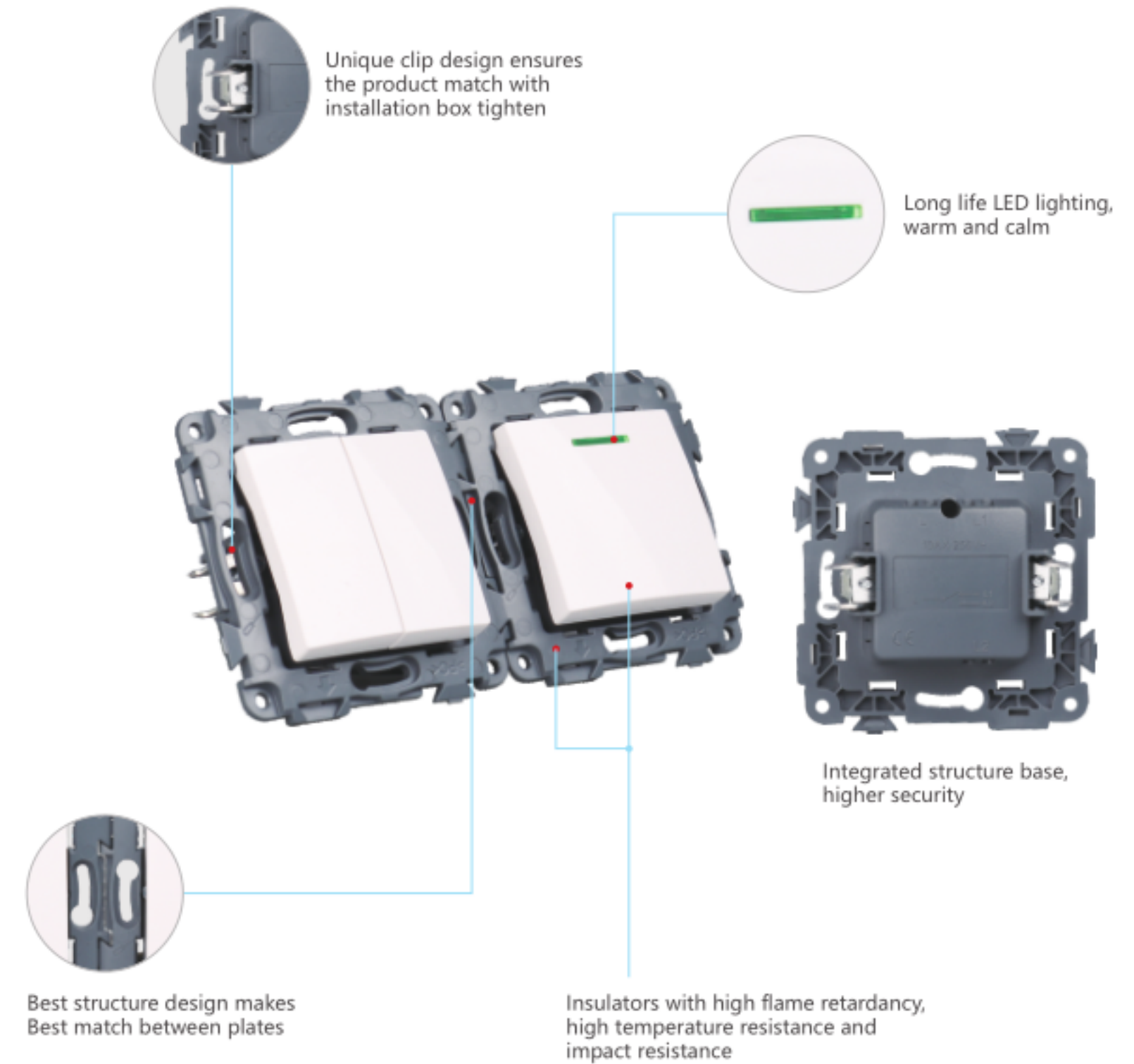


- Unique clip design ensures the product match with installation box tighten
- Best structure design makes, best match between plates
- Integrated structure base, higher security

### Wall Switch & Socket

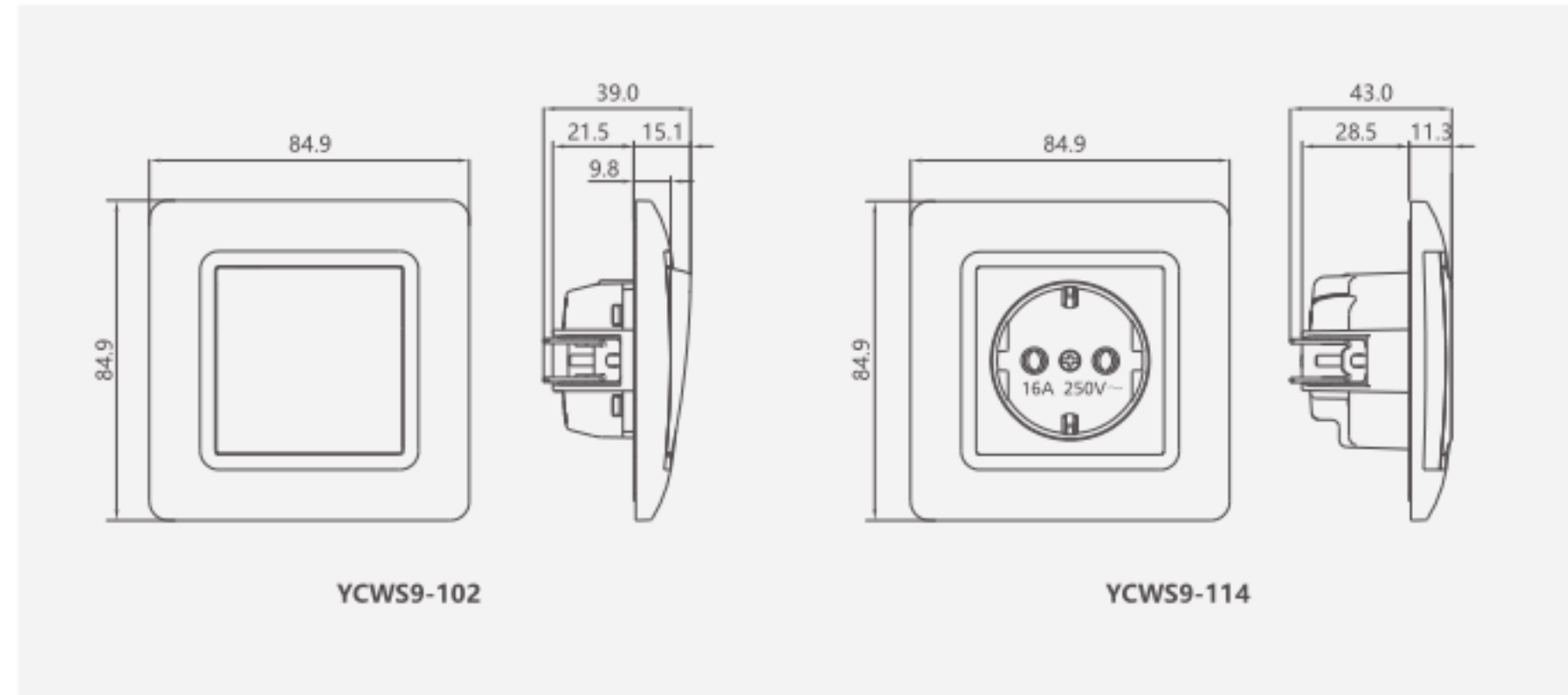
### YCWS9 series Europe standards

A



**YCWS9 series Europe standards**

Overall and Mounting Dimensions(mm)

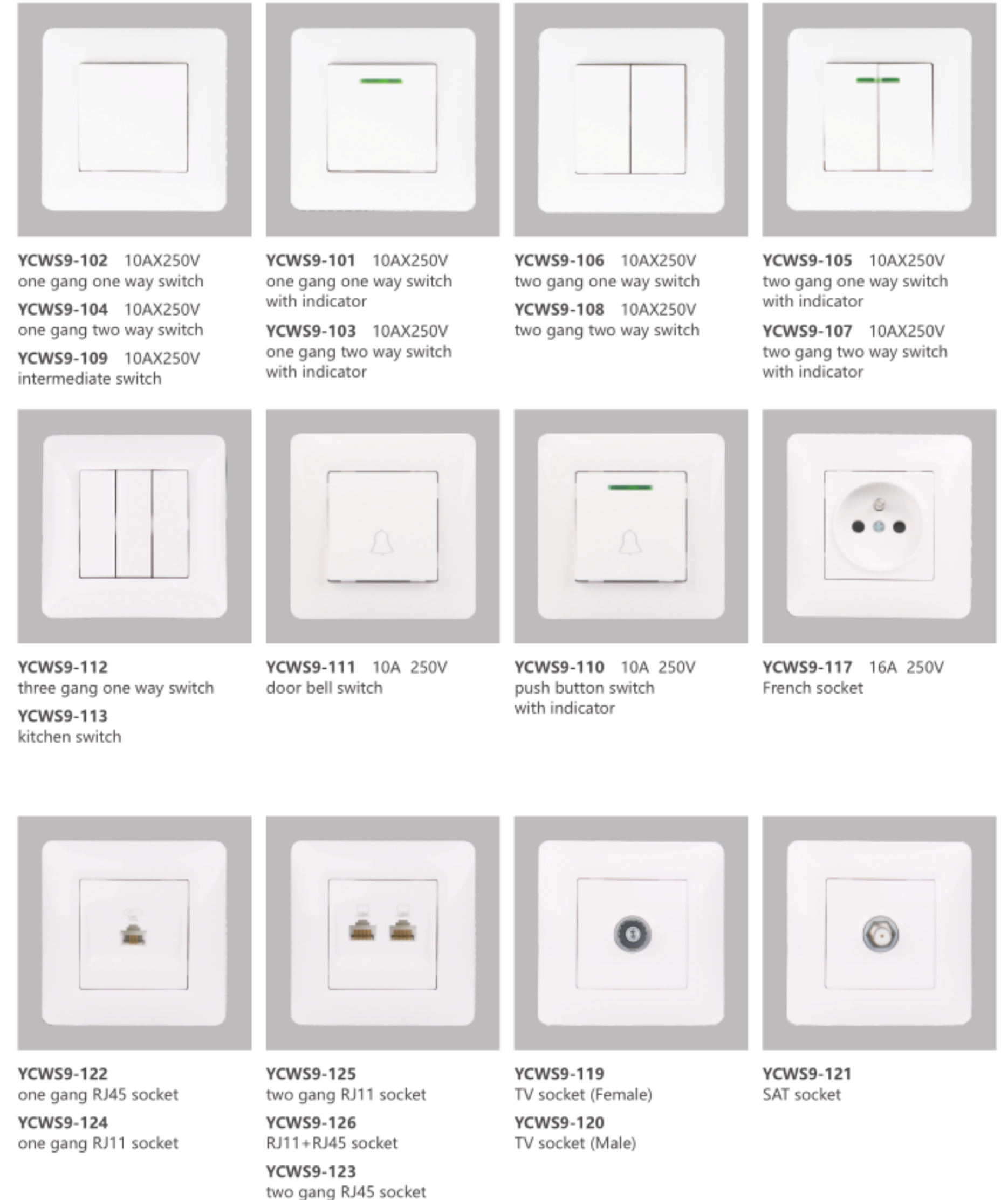


Front Plate



**YCWS9 series Europe standards**

Product Category





Product Category



YCWS9-116 16A 250V  
Russian socket

YCWS9-114 16A 250V  
German socket

YCWS9-128 16A 250V  
double Russian socket

YCWS9-127 16A 250V  
double German socket



YCWS9-115 16A 250V  
German socket with cover

YCWS9-118 600W 250V  
dimmer

YCWS9-136  
fans switch

YCWS9-131  
one gang front plate



YCWS9-132  
two gang front plate

YCWS9-135  
five gang front plate



YCWS9-133  
three gang front plate

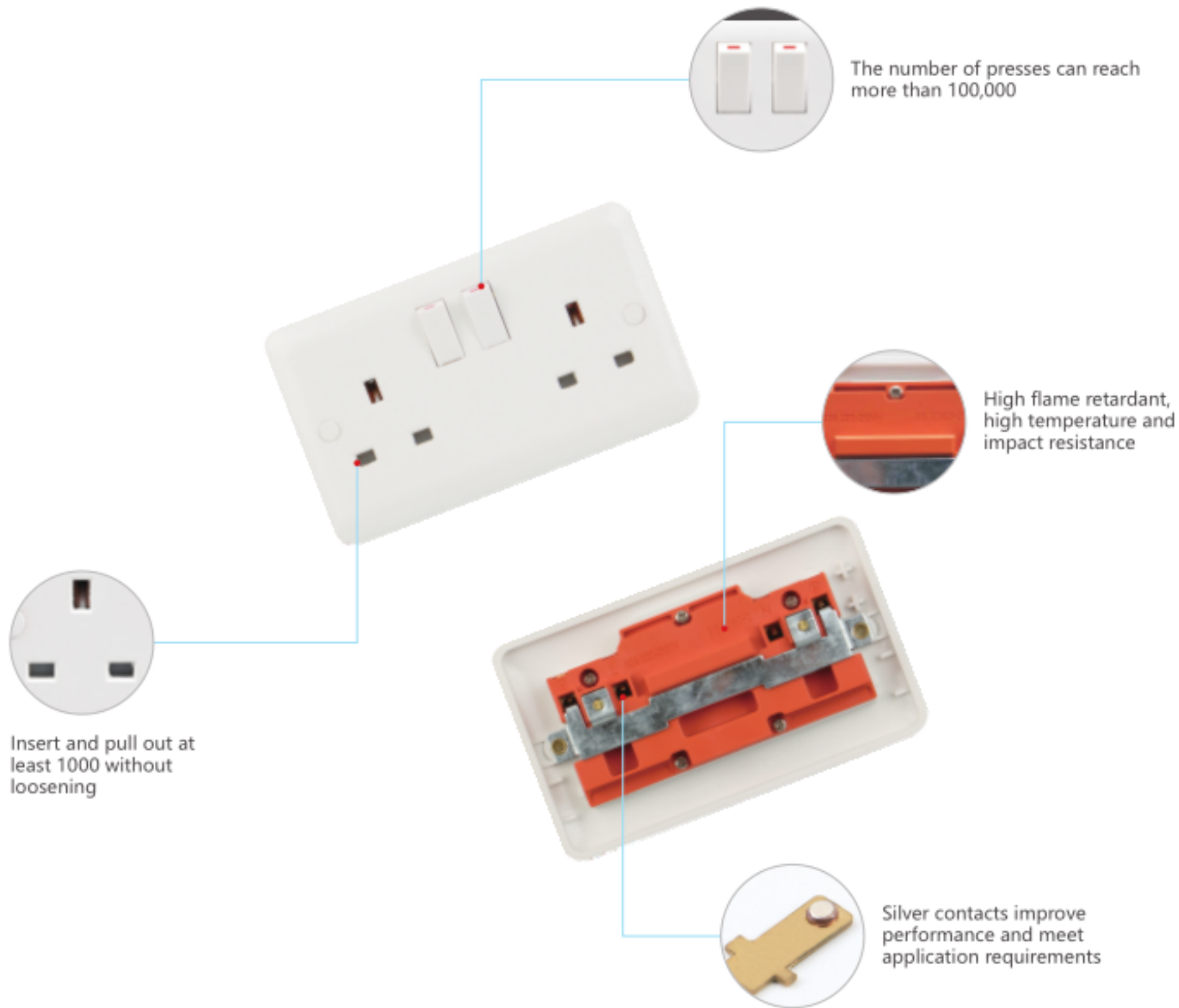
YCWS9-134  
four gang front plate

# YCWS6 Series

## Wall Switch & Socket

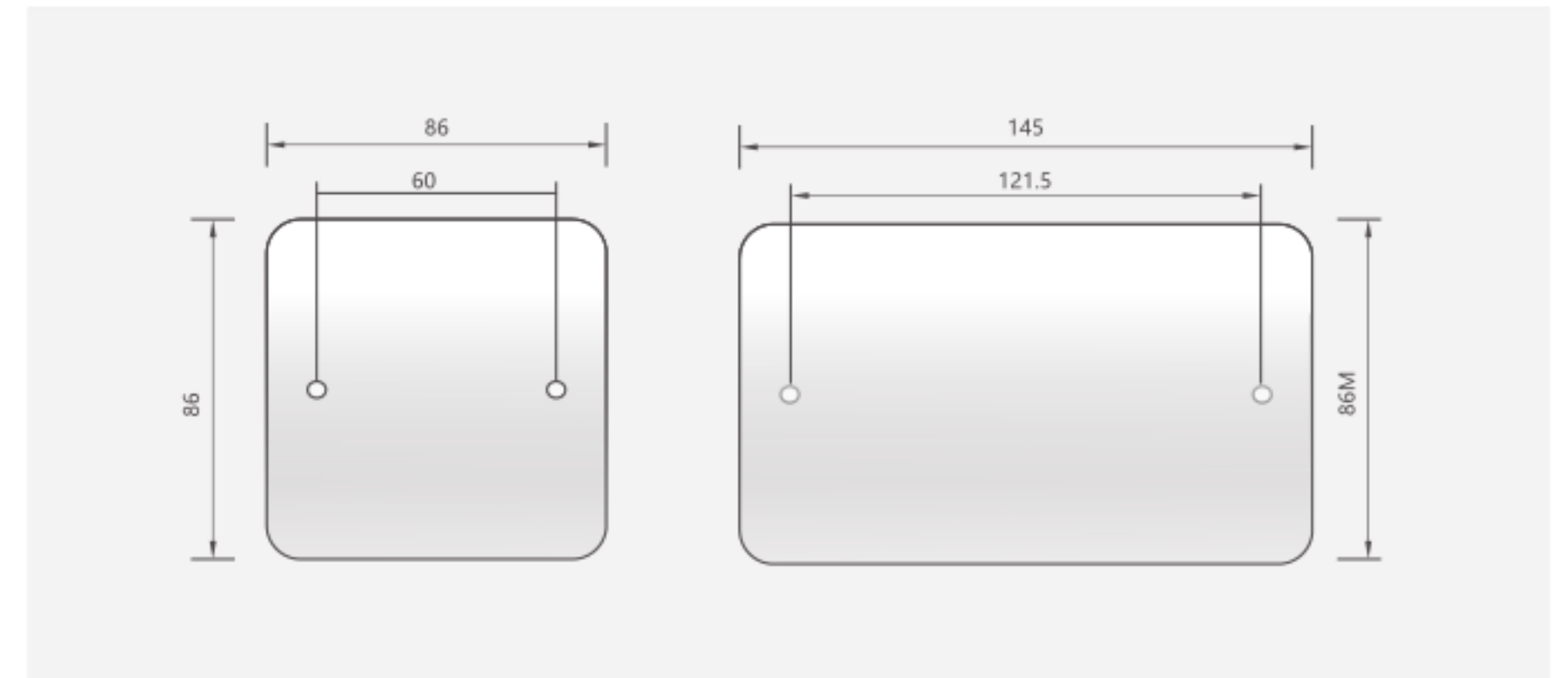


- The number of presses can reach more than 100,000
- High flame retardant, high temperature and impact resistance
- Silver contacts improve performance and meet application requirements



Meets wall switch BSEN60669-1 standard

Overall and Mounting Dimensions(mm)



Product Category



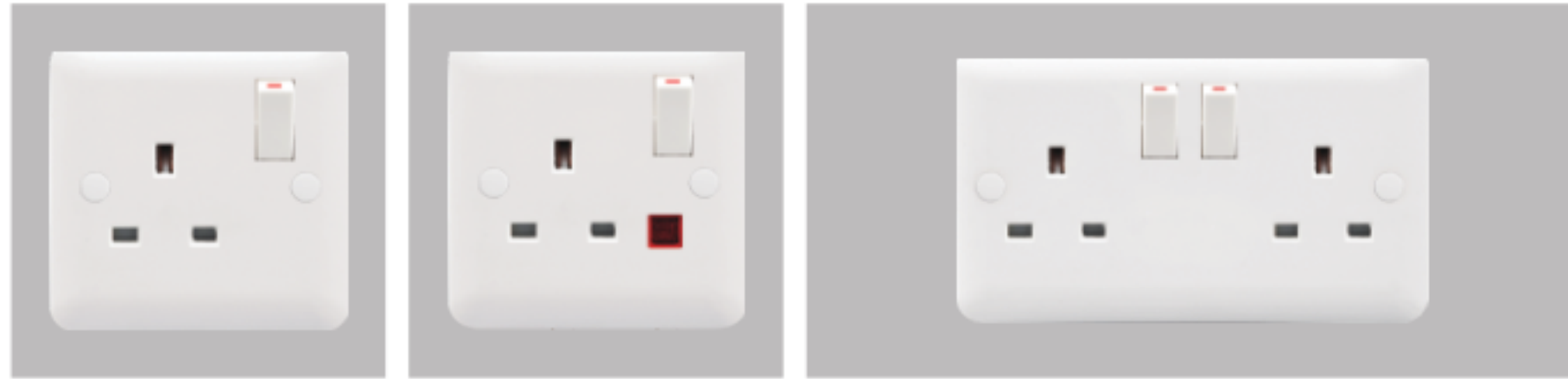
- |  |  |  |  |
|--|--|--|--|
| <b>101S</b><br>1 gang 1 way plate switch | <b>102S</b><br>2 gang 1 way plate switch | <b>103S</b><br>3 gang 1 way plate switch | <b>104S</b><br>4 gang 1 way plate switch |
| <b>101D</b><br>1 gang 2 way plate switch | <b>102D</b><br>2 gang 2 way plate switch | <b>103D</b><br>3 gang 2 way plate switch | <b>104D</b><br>4 gang 2 way plate switch |



- |   |   |
|---|---|
| <b>104SL</b><br>4 gang 1 way plate switch | <b>106SL</b><br>6 gang 1 way plate switch |
| <b>104DL</b><br>4 gang 2 way plate switch | <b>106DL</b><br>6 gang 2 way plate switch |

YCWS6 series British standards

Product Category



**113S**  
1×13A Switched socket

**113T**  
1×13A Switched socket with light

**213S**  
Double 13A switched socket



**213T**  
Double 13A switched socket with light

**112S**  
1×Multi 13A switched socket

**112T**  
1×Multi 13A switched socket with light

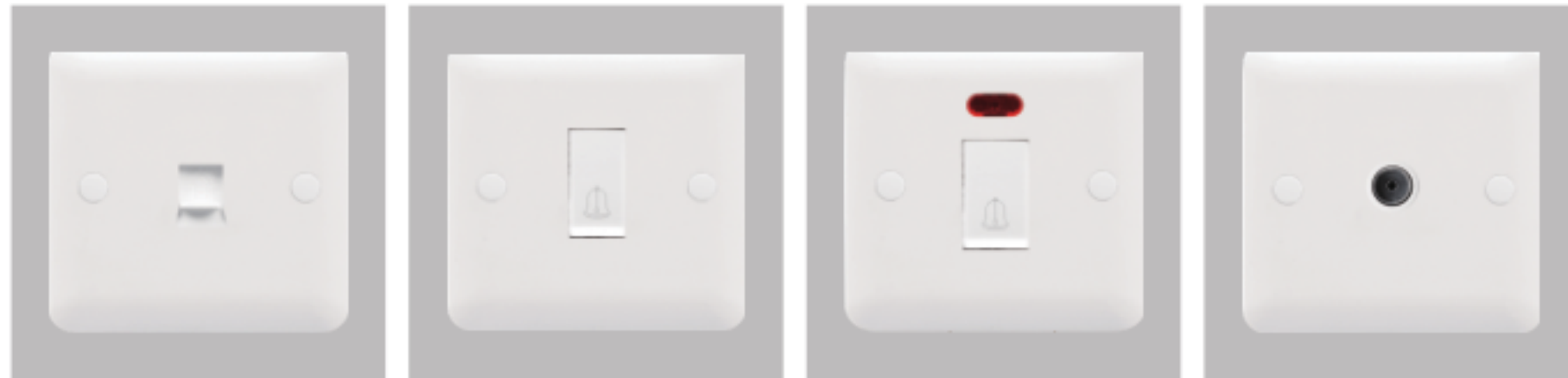


**116T**  
2 PIN & Multi 13A switched socket with light

**115S**  
1×15A Switched socket

**115T**  
1×15A Switched socket with light

**108L**  
Computer Socket



**108S**  
Telephone Socket

**100S**  
Bell Push

**100S**  
Bell Push with light

**107S**  
TV SOCKET

YCWS6 series British standards

Product Category



**109S**  
Satellite Socket

**500W** 250V 50/60Hz 500W  
Fans dimmer switch

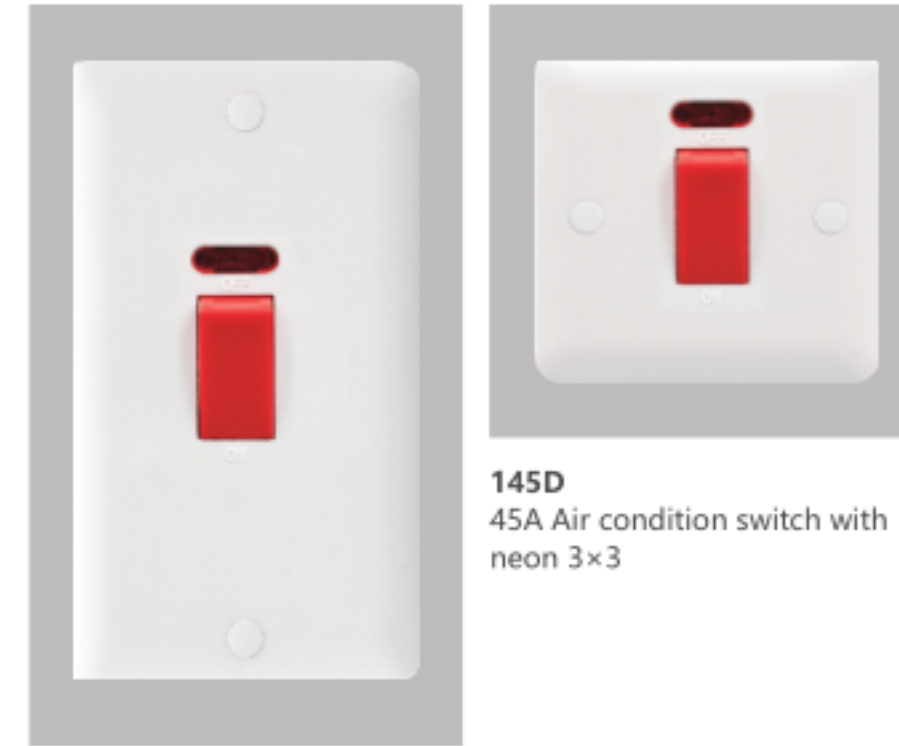
**1000W** 250V 50/60Hz 1000W  
Speed control switch

**L120D**  
20A water heater



**111**  
3×3 Coverplate

**211**  
3×6 Coverplate



**145D**  
45A Air condition switch with neon 3×3

**245D**  
45A Air condition switch with neon 3×6